

tent

1

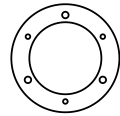
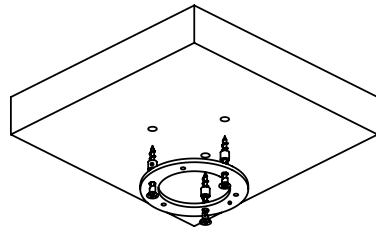


Plate 01



Drill the ceiling holes following the location of the bigger holes on Plate 01

Screw Plate 01 on the ceiling using the plastic spacers as described here.

2

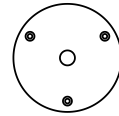
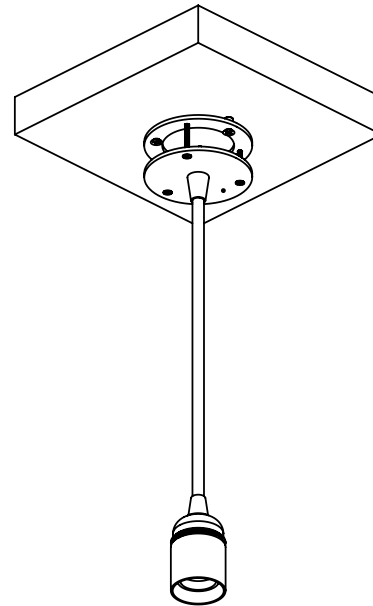


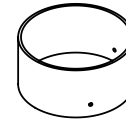
Plate 02



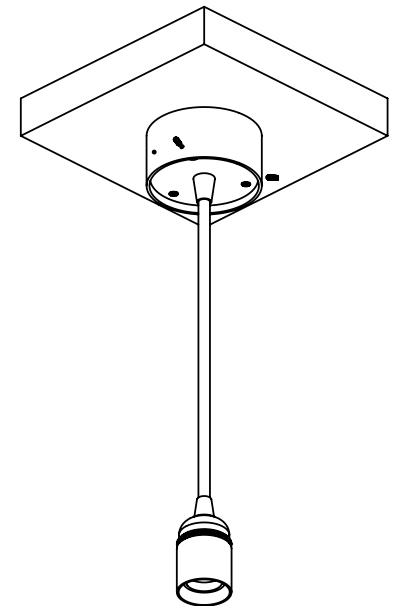
Screw Plate 02 on Plate 01 using M3X30 screws. Keep them as loose as possible.

Adjust the cable length, tighten the cable gland and connect to power.

3



Cover cylinder

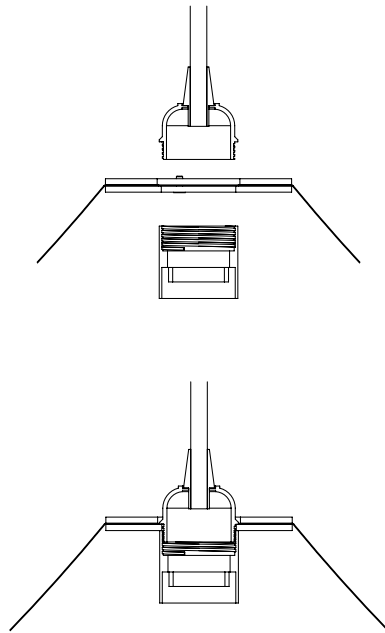


Place the cover cylinder and tighten the M3 headless screws until they are flush with the cover cylinder.

Now you can tighten the screws located on Plate 02

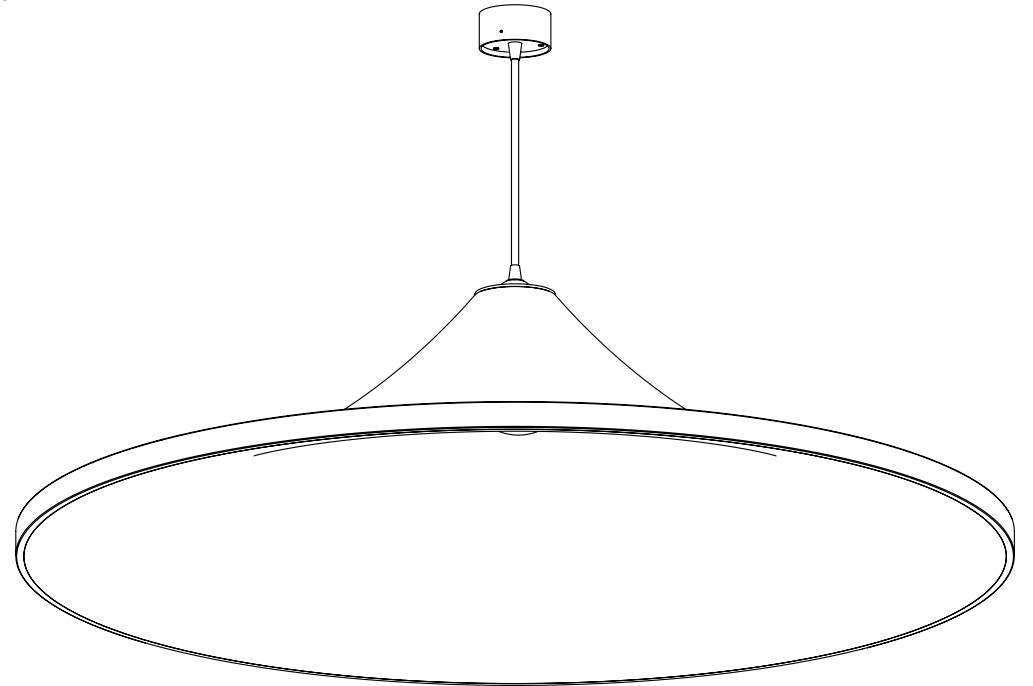
tent

4



Screw the bulb socket around the lampshade disc.

5



Adjust the lamp level by gently stretching the fabric.

After few hours suspended Tent will balance itself perfectly.